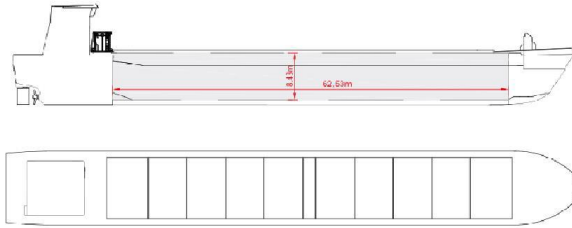




BREB TIMBER



© Peter aus Holtenau
MarineTraffic.com



SHIPS BASICS

Name	BREB TIMBER	IMO	9319430
Built	2005	Flag	Gibraltar
Classification	Lloyds Register EMEA	Port of Registry	Gibraltar
Type	MPP Singledecker	Call Sign	ZDHE6

DIMENSIONS AND MAIN DATA

GT / NT	abt. 2.545 / 1.460	Beam	abt. 12,67 m
Summer dwt	3.600 mt	Length o.a.	abt. 88,60 m
Consumption	at sea 5,0 mts fuel per day in port 0,2 mts per day	Draft max.	5,42 m
		Speed	abt. 10kn
		Floor space under deck	630 sqm / 6.781 sqft
		Floor space on deck	651 sqm / 7.007 sqft

HATCH AND HOLD

Holds	1, fully box shaped
Hold dimensions	abt. 62,53 m x 10,12 m x 8,43 m
Hold capacity	5.248 cbm / abt. 185.254 cbf
Bulk heads	2 pcs, 7 positions
Hatch cover type	Pontoon type

OTHERS

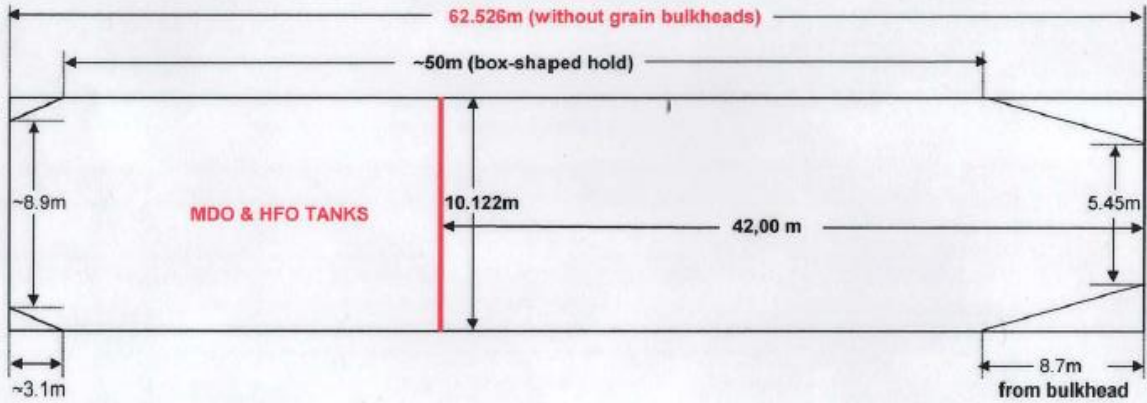
Container Capacity	Capacity 20' / 40' /40'HC	Timber fitted	Yes
	Hold 108 / 45 / 24	IMO classes	Fitted for the carriage of cargoes of all IMO classes
	Deck 56 / 32 / 30		
	Total 164 / 68 / 54		

TECHNICAL SPECIFICATION

Main Engine	MaK 8m20 1.520 kW	Bowthruster	220 kW
Aux. Engine	Sisu 634 DSBIG 341 kW Scania DI 12 341 kW		

COMMUNICATION

Phone	+31 646 255 535	E-Mail	charter@milady.briese- fleet.com
-------	-----------------	--------	-------------------------------------



Cargo hold:

Bulkheads Fr 23-125:

LxBxH = 61.666x10.122x8.43 m
V = 5248.4 cbm (185 341 cft)
Smax = 624 sqm

Hatch Covers (11pcs):

LxBxH = 62.84x10.39x0.47 m
Smax = 653 sqm

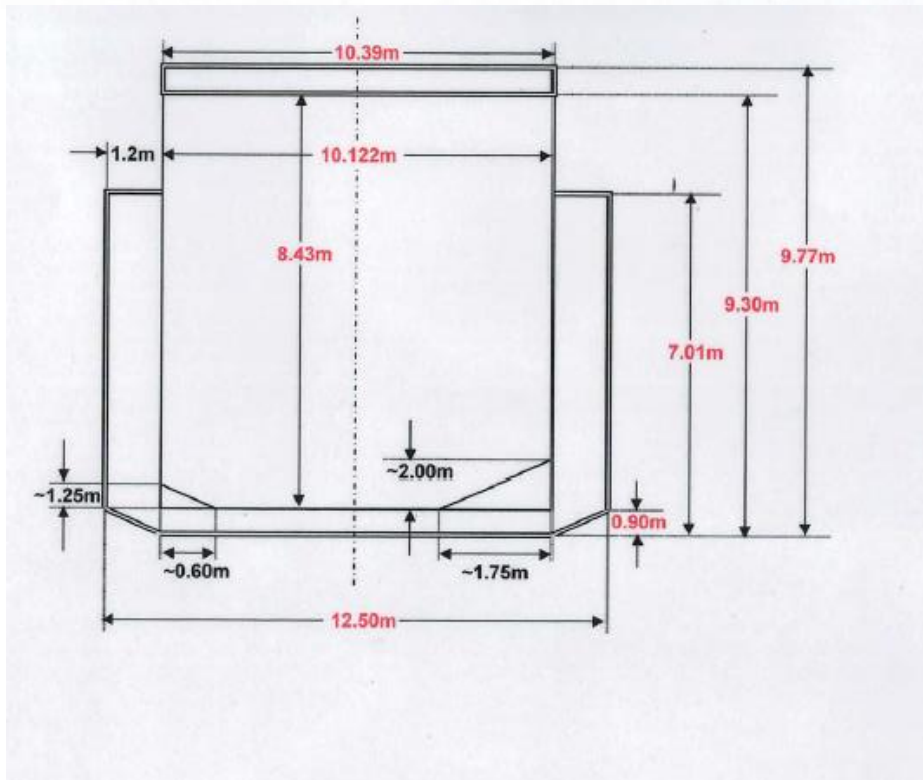
Box-shaped part:

LxBxH = ~50x10.122x8.43m
V = ~4 266 cbm
S = ~506 sqm

Bulkheads b = 0.38m

Without bulkheads:

LxBxH = 62.526x10.122x8.43 m
V = 5 335.2 cbm
Smax = ~632 sqm



All particulars given in good faith and believed to be correct, but without guarantee.